

VCR.192 | Shortened lobe knobs

Duroplast, square hole

METRIC

✓ **RoHS**

PF

+230°F
-4°F

MATERIAL

Phenolic based (PF) Duroplast, black colour, glossy finish.

STANDARD EXECUTION

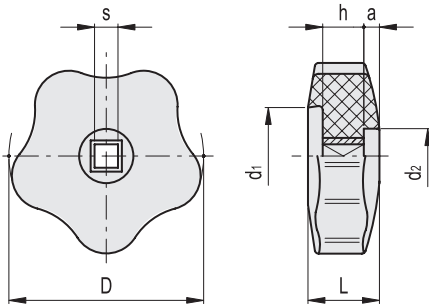
Square through hole with brass reinforcement.

FEATURES

Special front housing (d2) for hexagon blind nut with spherical cap UNI 5721-69.



ELESA Original design



METRIC

| Code | Description | D | sH9 | L | d1 | d2 | h | a | △ |
|-------|-------------------|-----|-----|----|----|----|----|---|-----|
| 69001 | VCR.192/40-6x6 | 40 | 6 | 15 | 21 | 14 | 10 | 4 | 21 |
| 69101 | VCR.192/50-6x6 | 50 | 6 | 18 | 24 | 14 | 10 | 5 | 33 |
| 69111 | VCR.192/50-7x7 | 50 | 7 | 18 | 24 | 14 | 10 | 5 | 31 |
| 69201 | VCR.192/60-6x6 | 60 | 6 | 20 | 29 | 16 | 10 | 4 | 52 |
| 69211 | VCR.192/60-7x7 | 60 | 7 | 20 | 29 | 16 | 10 | 4 | 50 |
| 69221 | VCR.192/60-8x8 | 60 | 8 | 20 | 29 | 16 | 10 | 4 | 48 |
| 69301 | VCR.192/70-7x7 | 70 | 7 | 22 | 35 | 18 | 14 | 5 | 83 |
| 69311 | VCR.192/70-8x8 | 70 | 8 | 22 | 35 | 18 | 14 | 5 | 78 |
| 69401 | VCR.192/85-7x7 | 85 | 7 | 25 | 45 | 18 | 14 | 8 | 136 |
| 69411 | VCR.192/85-8x8 | 85 | 8 | 25 | 45 | 18 | 14 | 8 | 127 |
| 69421 | VCR.192/85-9x9 | 85 | 9 | 25 | 45 | 18 | 14 | 8 | 126 |
| 69501 | VCR.192/100-8x8 | 100 | 8 | 28 | 57 | 18 | 14 | 6 | 168 |
| 69511 | VCR.192/100-10x10 | 100 | 10 | 28 | 57 | 18 | 14 | 6 | 166 |

| Conversion Table 1 mm = 0.039 inch | | | |
|---------------------------------------|------|-----|------|
| D | | | |
| mm | inch | mm | inch |
| 40 | 1.57 | 60 | 2.36 |
| 44 | 1.73 | 70 | 2.76 |
| 50 | 1.97 | 85 | 3.35 |
| 58 | 2.28 | 100 | 3.94 |

